

C1.1/1

Fabian Schwaerzler, 2016

COLOS

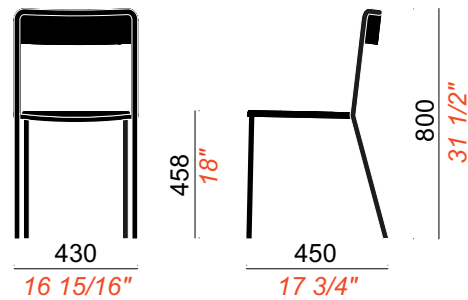
 MADE IN ITALY

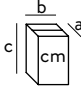
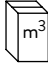

CATAS



Four-legged chair with seat and back in steel plate, tubular steel frame with 20 mm diameter, zinc-coated and powder coated with polyester. Stackable up to 16 units on the floor and 20 on a trolley.

2D and 3D drawings available at www.colos.it



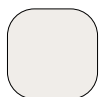
QUANTITY PER PACKAGE	BOX SIZES 	PACKAGE VOLUME 	PACKAGE WEIGHT 
4	67x50x96	0,32	25

CERTIFICATION/
TEST RESULTS

Declaration of Conformity
CATAS
n.° 11656 - July 15, 2016

EN 16139 test report n. 213401 - 1/2014
 EN 16139 test report n. 213401 - 2/2014
 EN 1728 test report n. 213401 - 3/2014
 EN 1728 test report n. 213401 - 4/2014
 EN 1728 test report n. 213401 - 5/2014
 EN 1728 test report n. 213401 - 6/2014
 EN 1728 test report n. 213401 - 7/2014
 EN 1728 test report n. 213401 - 8/2014
 EN 1728 test report n. 213401 - 9/2014
 EN 1728 test report n. 213401 - 10/2014
 EN 1022 test report n. 213401 - 11/2014

POWDER COATED STEEL COLORS



WHITE



SENF



RED



AUBERGINE



DARK GREEN



WARM GREY



BLACK

NCS 0500-N	NCS 2070 - Y10R	NCS 1580-90R	NCS 5540 - Y90R	NCS 8010-G10Y	NCS 6005-Y20R	NCS 9000 - N
------------	-----------------	--------------	-----------------	---------------	---------------	--------------

FIREPROOF: CLASS 0