

C1.1/4

Fabian Schwaerzler, 2016

COLOS

 MADE IN ITALY

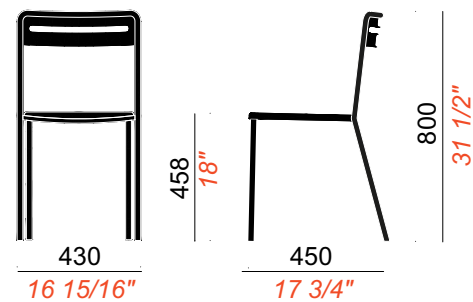


OUTDOOR

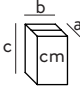
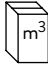

Four-legged chair with slotted seat and back in steel plate, tubular steel frame with 20 mm diameter, zinc-coated and powder-coated with polyester.

Stackable up to 16 units on the floor and 20 on a trolley.

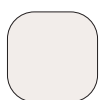
2D and 3D drawings available at www.colos.it



COLOS is a Cerantola SPA trademark - Via Giorgione, 2 - Ramon di Loria (TV) - ITALIA - PI 02143740260 - T +39 0423 755013 - F +39 0423 755152 - www.colos.it

QUANTITY PER PACKAGE	BOX SIZES 	PACKAGE VOLUME 	PACKAGE WEIGHT 
4	67x50x96	0,32	25

POWDER-COATED STEEL COLORS



WHITE

NCS 0500-N



SENF

NCS 2070 - Y10R



RED

NCS 1580-90R



AUBERGINE

NCS 5540 - Y90R



DARK GREEN

NCS 8010-G10Y



WARM GREY

NCS 6005-Y20R



BLACK

NCS 9000 - N

FIREPROOF: CLASS 0