



COVE SWIVEL BASE STOOL

COD.OCOVES03

DESCRIPTION

Swivel base stool with adjustable height

NOTE

Optional: upholstered cushions and seats in B01, B03, C01, C05, W01, P01

Fire retardant version on request (min 300 pieces) 

TECHNICAL INFORMATION

STRUCTURE

Polypropylene shell 8mm; colors white, anthracite, grey, green, blue, red, ochre, beige

MECHANISM

MEC01- No mechanism

LEGS / FRAME / BASE

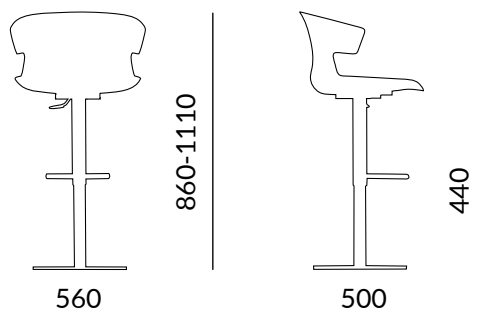
Chrome plated ballast with elevated footrest

DIMENSION

chair
L 560 H 860-1110 D 510

seat
L 500 H 440 D 440

backrest
L 400 H 350



WEIGHT

Net weight a chair: 21 Kg
Gross weight a chair: 24 Kg

PACKAGING

1 assembled chair per package

VOLUME x collo

M3: 0,35

COD.OCOVES03

TECHNICAL
DATASHEET

Dimensions in millimeters