

Campo

Mauro Lipparini



Campo is a single or double bed with a soft padded headboard. The fabric, eco-leather or leather upholstery is fully removable; the ornamental stitching on the edges, which is available in different colours, adds a touch of refined contemporary appeal. The feet are in silver painted wood. The Campo bed is also available with a storage base (open) or double-mouvement mechanism storage base (easy open).

COVER:

fabric

eco-leather

leather

FEET:

silver-painted metal

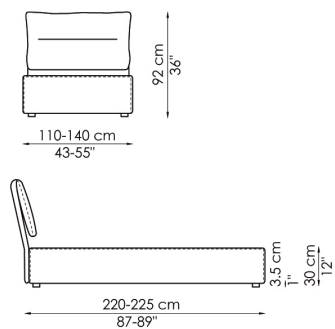
DECORATIVE EMBROID: white, beige, light grey, dark grey, red, blue

Bed bases available for this single bed:

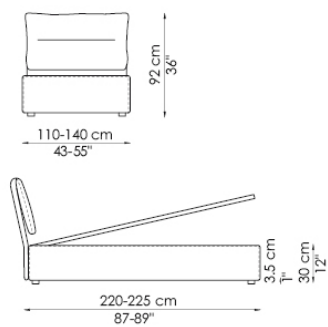
90x200 cm / 35x79"

120x200 cm / 47x79"

Campo



Campo open



Campo easy open

