



COVE UPHOLSTERED SWIVEL BASE STOOL

COD.OCOVES23

DESCRIPTION

Swivel base stool with adjustable height

NOTE

11M fire retardant B01 fabric upholstered shell 

TECHNICAL INFORMATION

STRUCTURE

Upholstered polypropylene shell 8mm

MECHANISM

MEC01- No mechanism

PADDING Injection molded polyurethane foam

Seat: thickness 20 mm, density 50 Kg/m³

Backrest: thickness 20 mm, density 50 Kg/m³

LEGS / FRAME / BASE

Chrome plated ballast with elevated footrest

UPHOLSTERY

categoryess B01-B03-C01-C05-W01-D02-P01 (SEE FABRIC FOLDER)

DIMENSION

chair

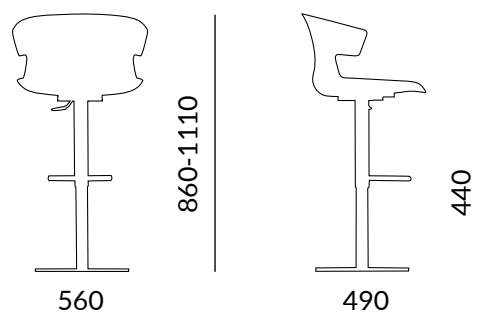
L 560 H 860-1110 D 510

seat

L 490 H 440 D 430

backrest

L 400 H 340



WEIGHT

Net weight a chair: 21,5 Kg
Gross weight a chair: 24,5 Kg

PACKAGING

1 assembled chair per package

VOLUME

M3 package: 0,35

COD.OCOVES23

TECHNICAL
DATASHEET

Dimensions in millimeters