



COLLEGE WITH MESH BACKREST AND UPHOLSTERED SEAT

COD.OCOLLV02

DESCRIPTION

Stackable chair with 4-leg frame, upholstered seat and mesh backrest

NOTE

Optional: armrest, linking device, writing table, stacking trolley. Stackable up to 6 chairs.

SPECIFICATIONS

STRUCTURE

Upholstered seat with white, grey, or black polypropylene structure.
Mesh backrest with white, grey, or black polypropylene structure.

PADDING

Seat: thickness 15 mm, density 40 Kg/m³

ARMS

Polypropylene with matching shell finish with soft touch

LEGS / FRAME / BASE

Steel tube legs 22mm painted aluminum, black or chrome

UPHOLSTERY

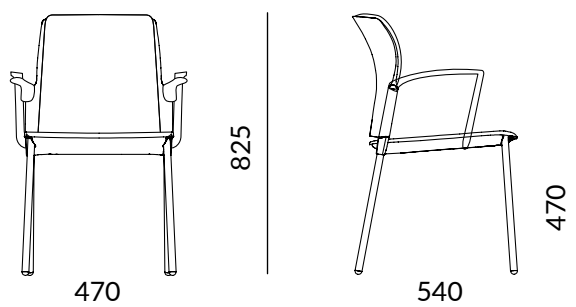
categories B01-B03-C01-C05-D02 (SEE FABRIC FOLDER)

SIZE

chair
L 470 H 825 D 540

seat
L 395 H 440 D 470

backrest
L 390 H 405



WEIGHT

Net weight a chair: 6 Kg
Gross weight a chair: 8 Kg

PACKAGING

2 x box
L 640 H 600 D 915

VOLUME

M3 box: 0,35

COD.OCOLLV02

TECHNICAL
DATASHEET

Dimensions in millimeters