

True



True is a collection of single or double beds with a removable cover in leather, eco-leather or fabric. Its openable base can contain drawers or a second bedstead. It is also available with a quilted headboard (True ego).

COVER:

-TRUE:

fabric

eco-leather

Capri leather

Ponza Nabuk / Anilina leather

Decorative fabric piping:

white

anthracite grey

red

grey

blue

saffron yellow

mint green

dove grey

-TRUE EGO:

fabric

Decorative embroid:

white
beige
red
light grey
dark grey
blue

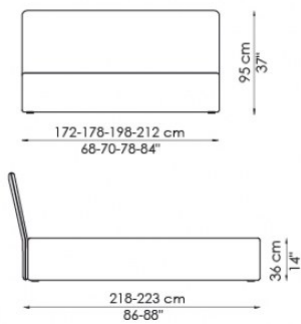
FEET in mat painted metal:

white
anthracite grey
red
silver
blue
saffron yellow
mint green
dove grey

Bed bases available for this double bed:

154x205 cm / 61x81"
160x200 cm / 63x79"
180x200 cm / 71x79"
194x205 cm / 76x81"

True



True ego

