

# LUXXU

MODERN DESIGN & LIVING

LIGHTING

UPHOLSTERY

TABLES

CONSOLES

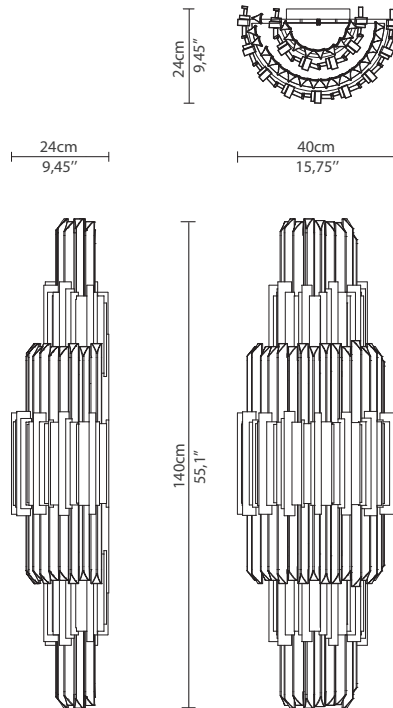
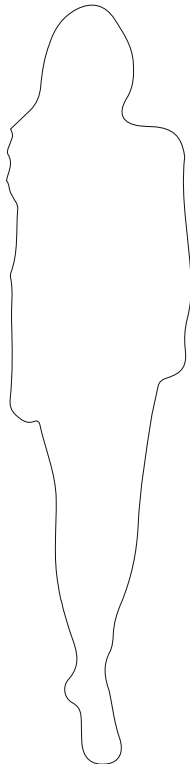
SIDEBOARDS

MIRRORS

CABINETS & BOOKCASES



EMPIRE | wall II



## DIMENSIONS

Height: 140cm | 55,1"

Length: 40cm | 15,75"

Depth: 24cm | 9,45"

## MATERIALS

Body: Brass & Crystal Glass

## STANDARD FINISHES

Body: Gold plated

## WEIGHT

Aprox: 30kg | 66,1lbs

## BULBS

7x g9 Halogen Bulbs (40W max)\*USA not included

Voltage: 220-240V

## PACKAGING

Volume: 0,26m<sup>3</sup> | 9,2ft<sup>3</sup>

Weight: 35kg | 77,2lbs