

X4



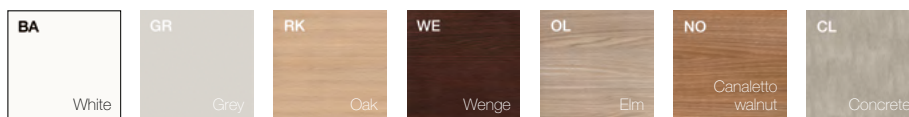
SPECIFICATION SHEET

WORKTOPS

MELAMINE

25mm easy to clean scratch-resistant anti-reflective melamine faced chipboard (MFC) top finished with 2mm matching straight ABS impact resistant edges. Panel density: 670/730 kgs per cubic meter

Finish options:



GLASS

10mm back-painted tempered safety floating glass top finished with 1.5mm 45° polished edges, 10mm radiused corners. Two ø60mm portholes with painted ABS grommets in chrome (800/1000mm long desks have one grommet only). Glass tops of X4 meeting tables have no portholes as standard.

Finish options:



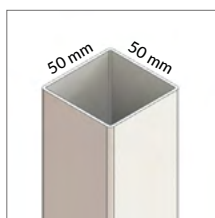
* Back painted using scratch-resistant ceramic enamels

METAL FRAME

Legs and perimeter frame made of epoxy powder coated or chromed steel tube.



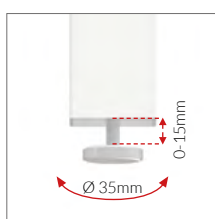
Finish options:



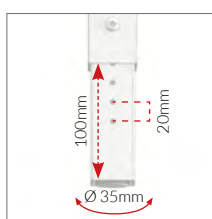
Legs made from 50x50mm 1.5mm steel tube.



Perimeter frame made from 50x20mm 1.5mm steel tube linked together by 100x100mm x 50mm high die-cast aluminium corner mounting brackets.

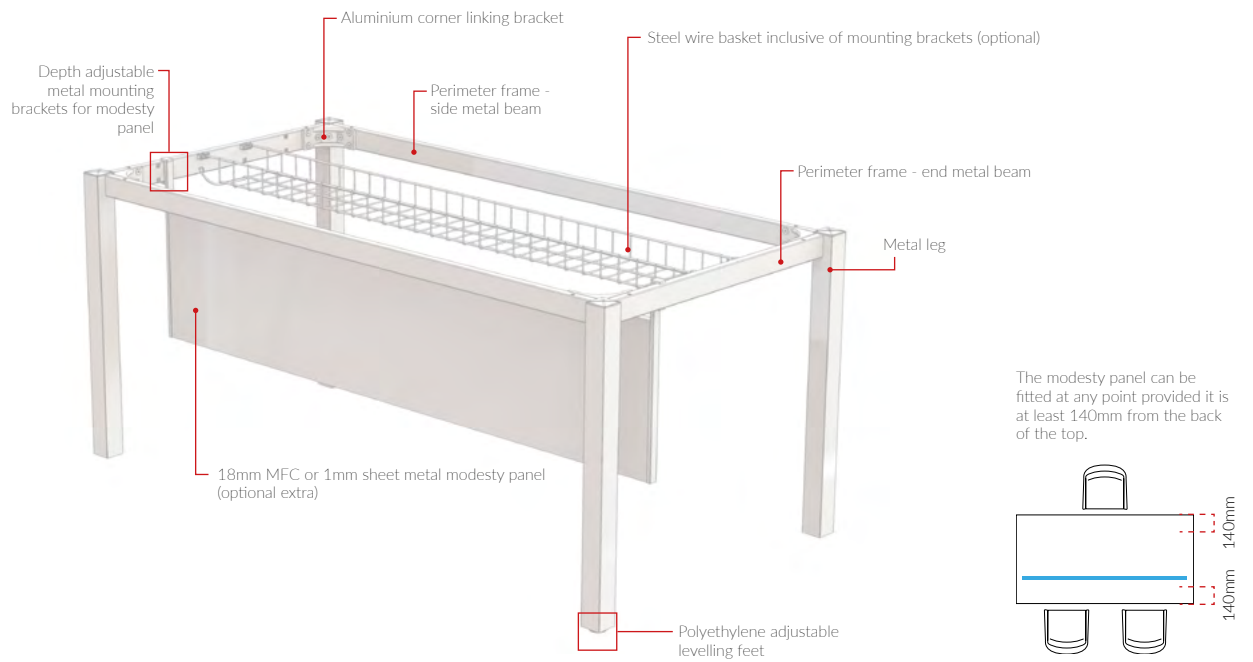


ø35mm grey polyethylene 0-15mm adjustable levelling feet.

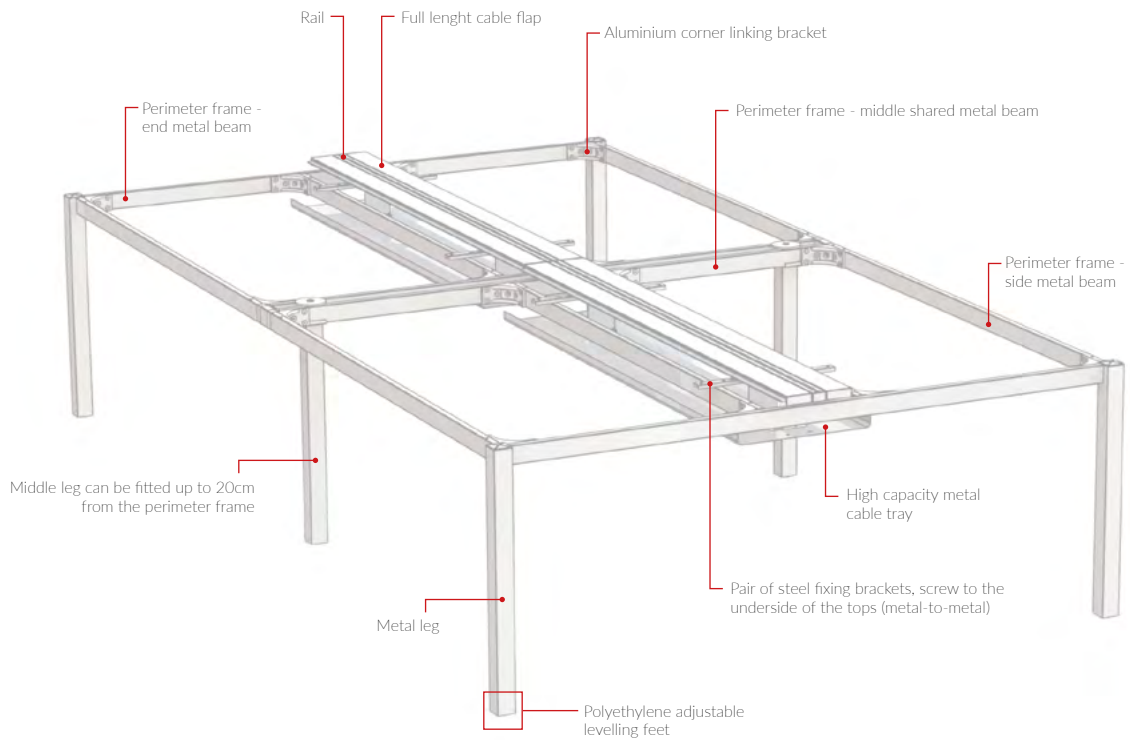


Optional Extra. Height settable telescopic legs adjustable by locking screw fixing. 730 to 830mm high on MFC desks. 715 to 815mm on glass desks. 20mm increments.

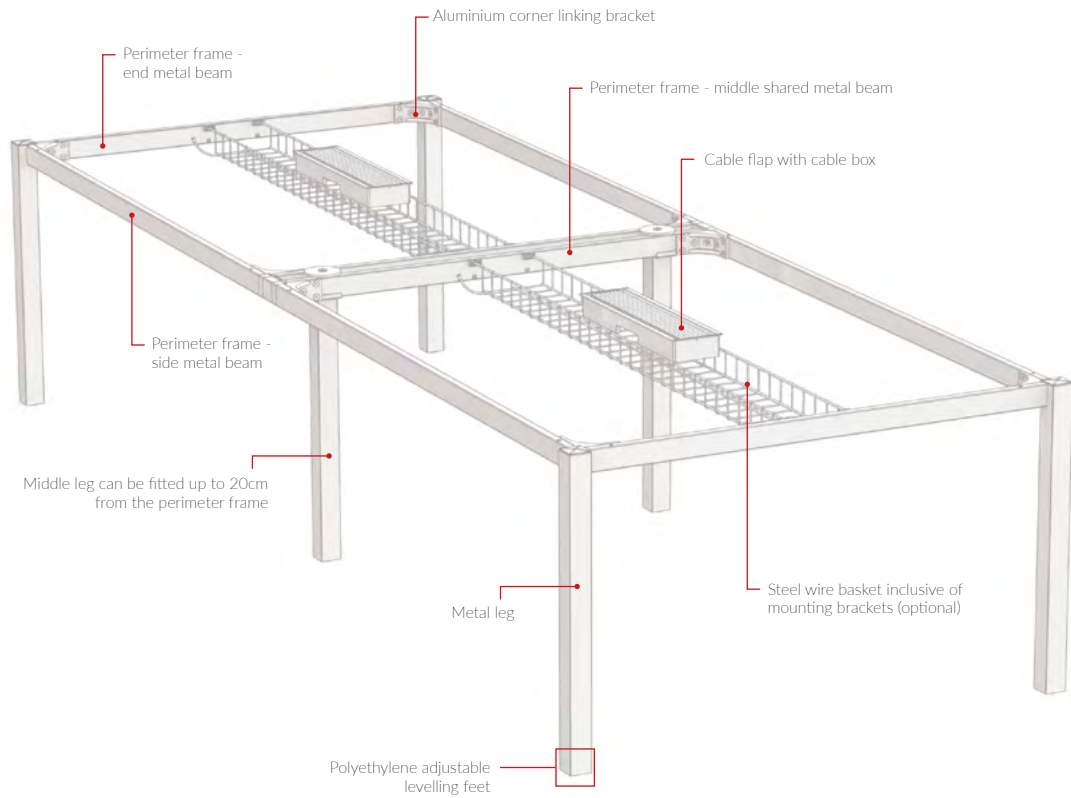
SINGLE DESKS



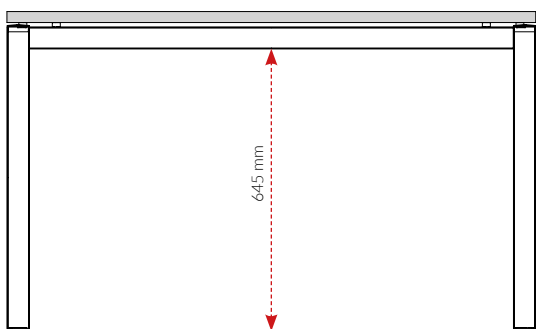
BENCH DESKS



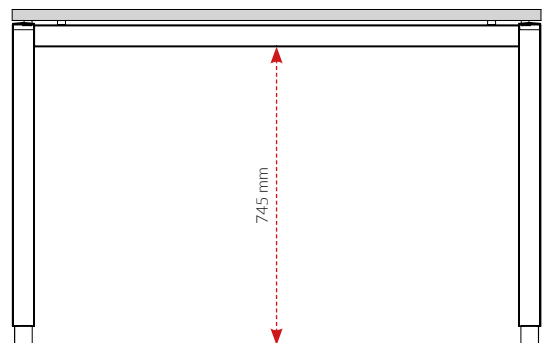
MEETING/BOARDROOM TABLE



USABLE SIZES



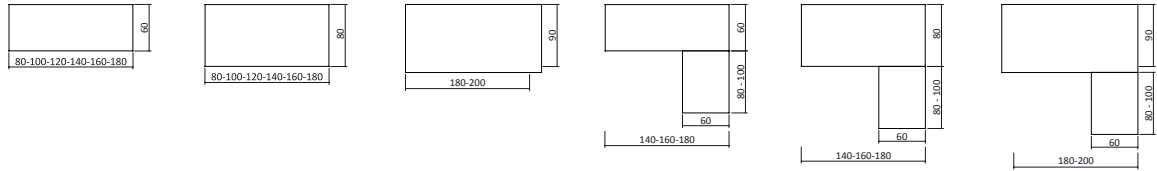
Perimeter frame to floor level



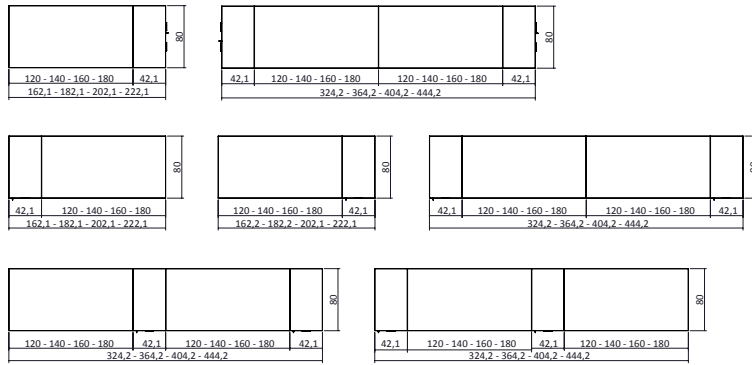
Perimeter frame to floor level using height settable legs (max extension)

LAYOUT

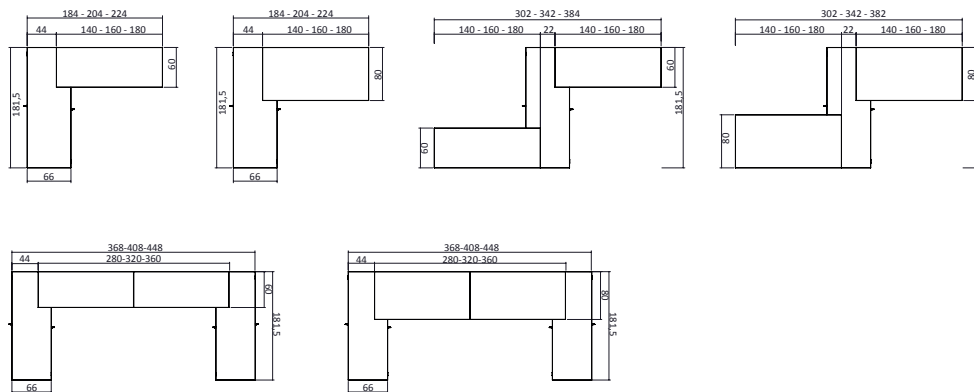
SINGLE DESKS



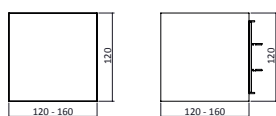
DESKS WITH INTEGRATED DESK HIGH CABINETS/PEDESTALS



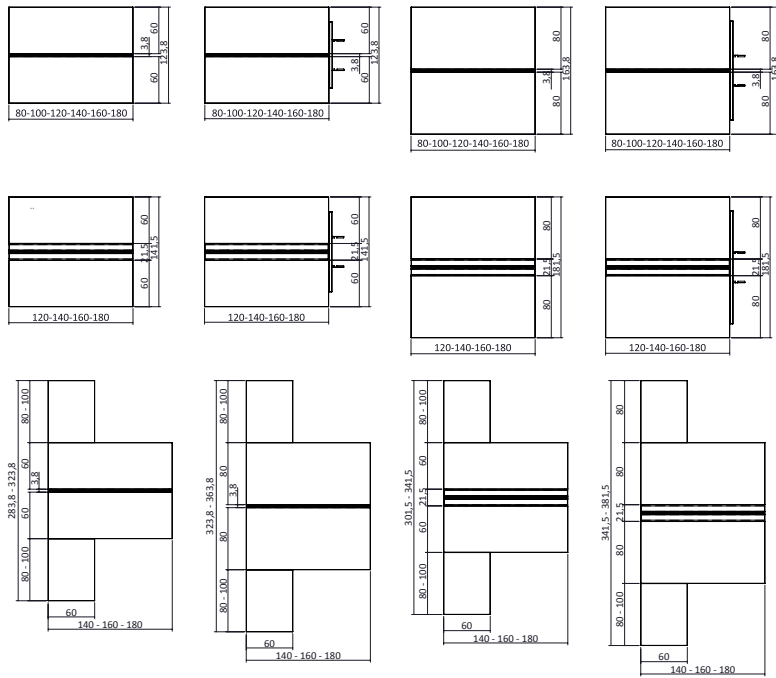
DESKS SUPPORTED ON LOW CREDENZA UNITS



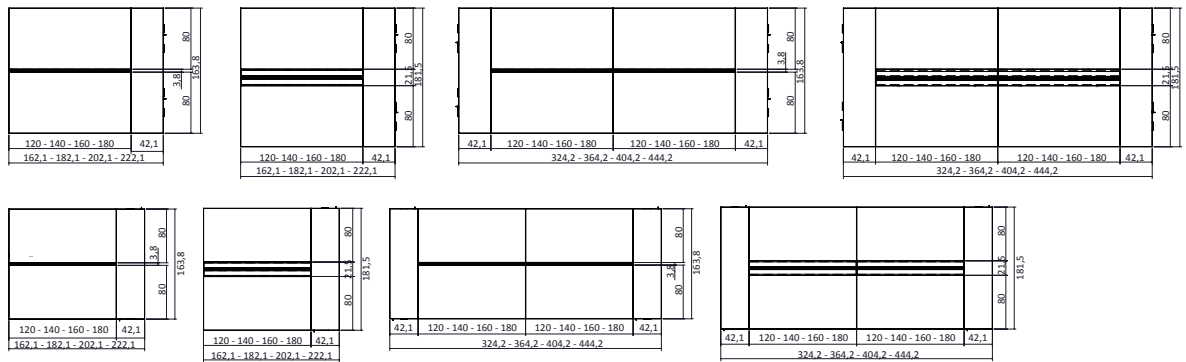
MEETING TABLES



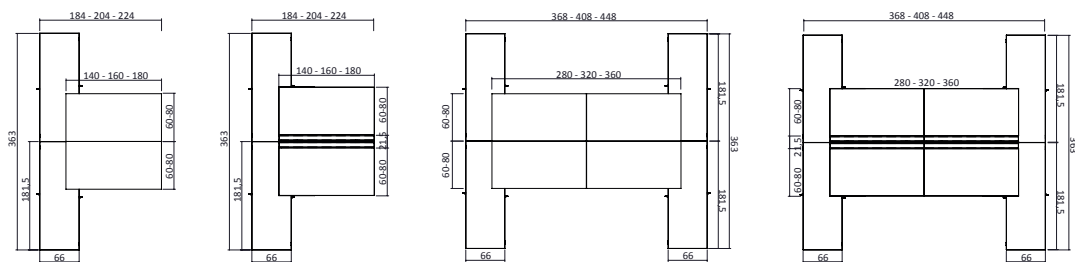
BENCH DEKS



BENCH DESKS WITH INTEGRATED DESK HIGH CABINETS/PEDESTALS



BENCH DESKS SUPPORTED ON LOW CREDENZA UNITS

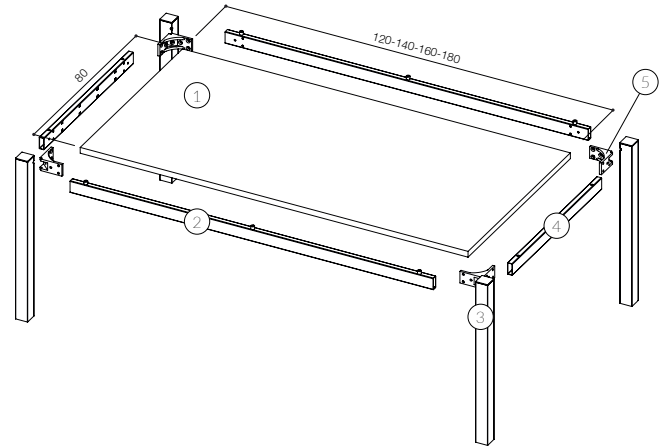


TECHNICAL FEATURES

DESKS

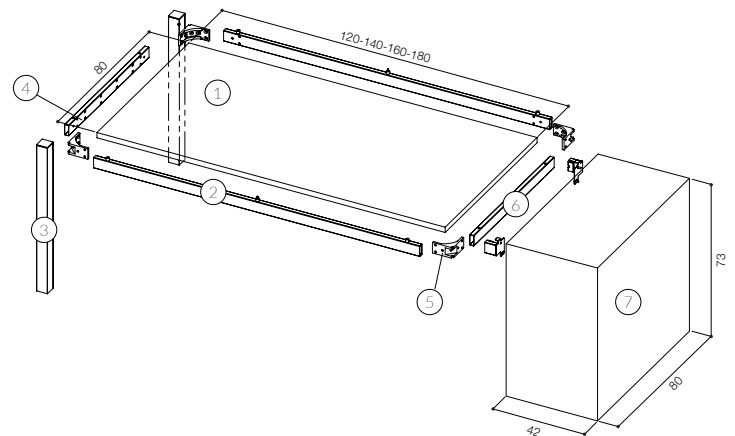
SINGLE DESKS

- 1) 25mm desktop
- 2) Side beam
- 3) X4 leg
- 4) End beam
- 5) Corner linking bracket



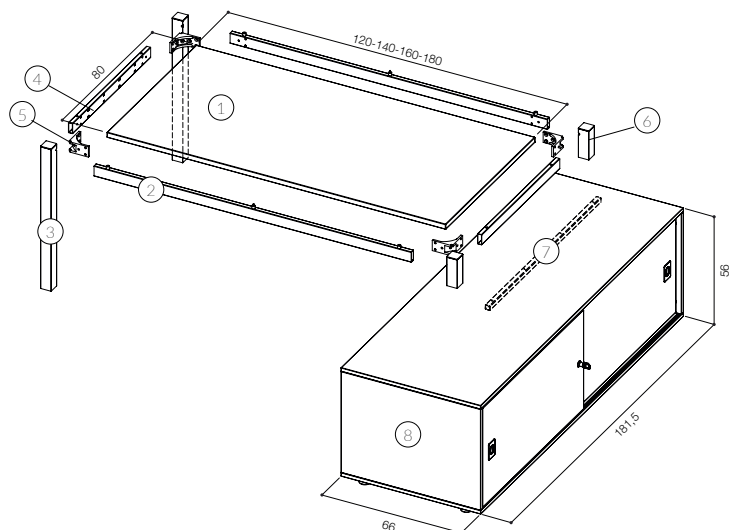
DESKS WITH INTEGRATED PEDESTAL/ CABINET

- 1) 25mm desktop
- 2) Side beam
- 3) X4 leg
- 4) End beam
- 5) Corner linking bracket
- 6) End beam supported on integrated pedestal/cabinet
- 7) Integrated desk high pedestal/cabinet



DESK SUPPORTED ON A LOW CREDENZA UNIT

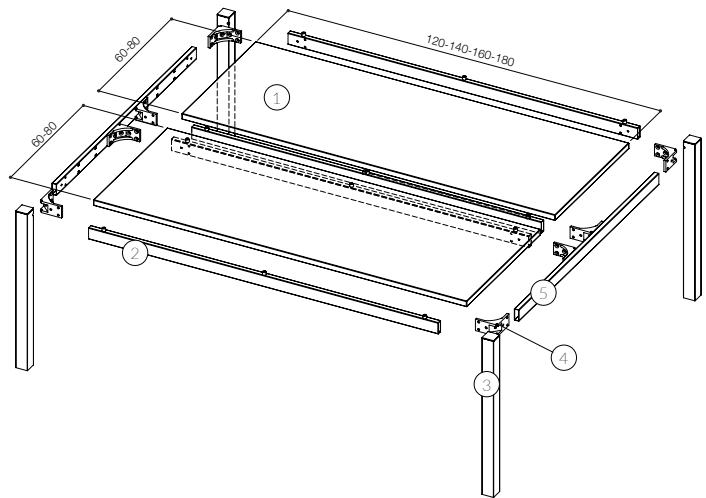
- 1) 25mm desktop
- 2) Side beam
- 3) X4 leg
- 4) End beam
- 5) Corner linking bracket
- 6) Short X4 leg supported on low credenza unit
- 7) Beam to prevent top from bending
- 8) Low credenza unit



BENCH DESKS

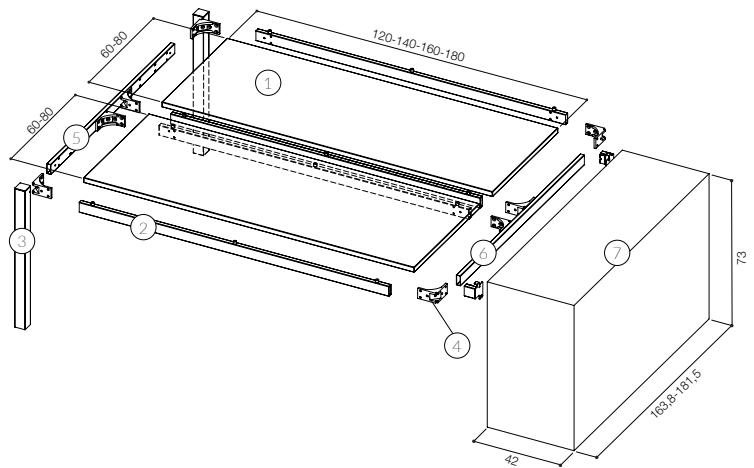
BENCH

- 1) 25mm desktop
- 2) Side beam
- 3) X4 leg
- 4) Corner linking bracket
- 5) End beam



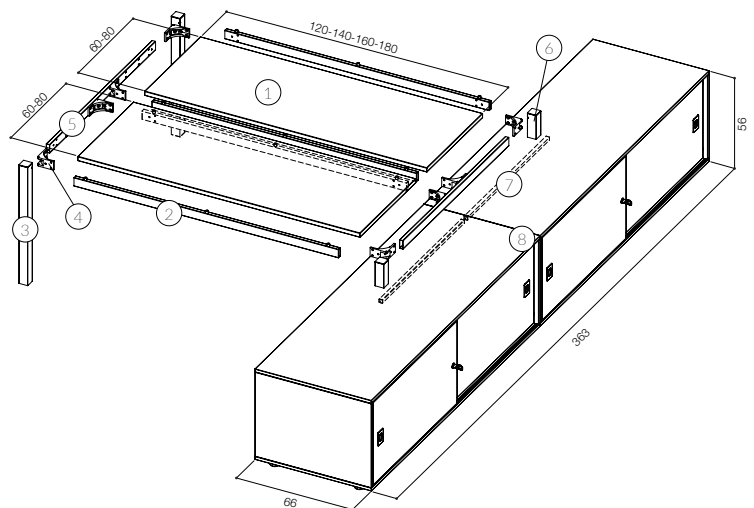
BENCH WITH INTEGRATED PEDESTAL/ CABINET

- 1) 25mm desktop
- 2) Side beam
- 3) X4 leg
- 4) Corner linking bracket
- 5) Side beam
- 6) End beam supported on integrated pedestal/cabinet
- 7) Pair of integrated desk high pedestals/cabinets



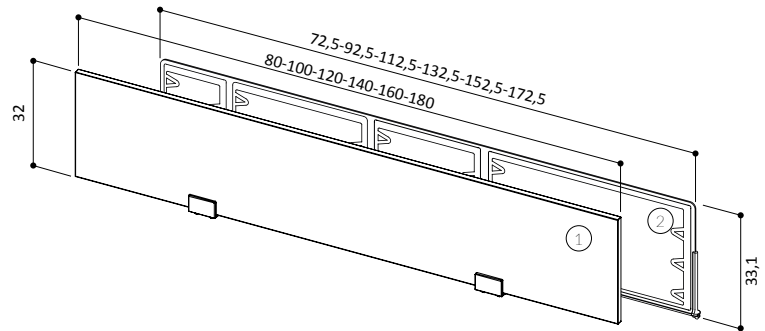
BENCH WITH LOW CREDENZA UNIT

- 1) 25mm desktop
- 2) Side beam
- 3) X4 leg
- 4) Corner linking bracket
- 5) End beam
- 6) Short X4 leg supported on low credenza unit
- 7) Beams to prevent top from bending
- 8) Low credenza units

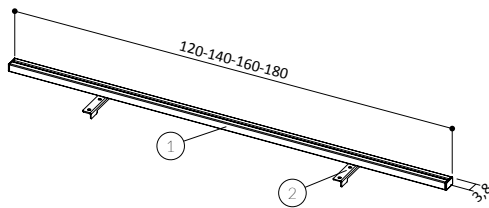


FRAMELESS SCREENS SUPPORTED ON DESK RAIL, CABLE MANAGEMENT

- 1) Melamine frameless screen / fabric covered frameless screen / etched glass frameless screen - includes two U-shaped mounting brackets for fitting to desk rails
- 2) Acoustic frameless screen made of fabric covered thermoformed polyester fibre - includes two mounting brackets for fitting to desk rails

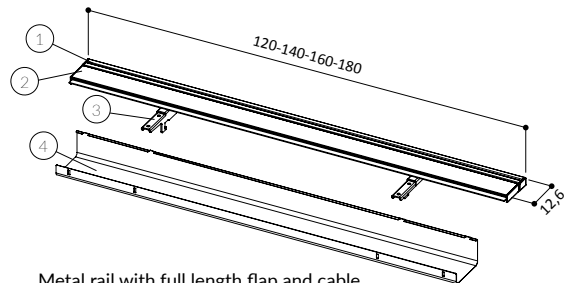
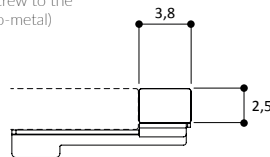


OPTIONS FOR SINGLE & BENCH DESKS (a frameless screen may be optionally fitted to the rail)



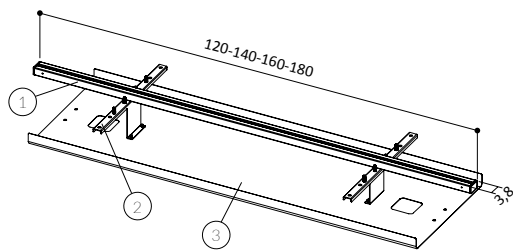
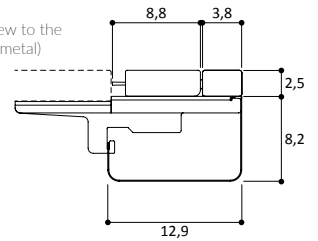
Metal rail for single desks or for bench desks with 38mm middle gap

- 1) Rail
- 2) Pair of steel fixing brackets, screw to the underside of the top (metal-to-metal)



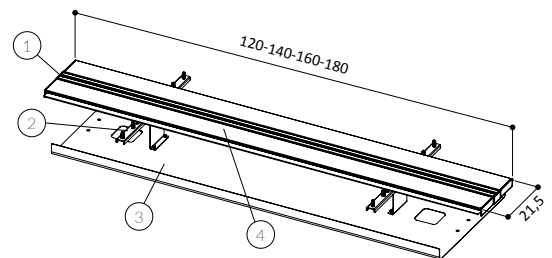
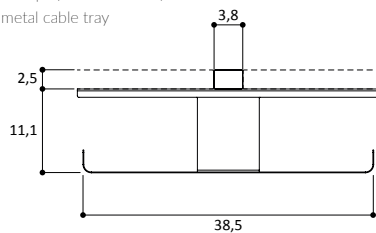
Metal rail with full length flap and cable tray for single desks

- 1) Rail
- 2) Full length cable flap
- 3) Pair of steel fixing brackets, screw to the underside of the top (metal-to-metal)
- 4) Metal cable tray



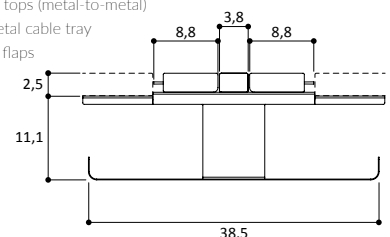
Metal rail with high capacity cable tray for bench desks with 38mm middle gap

- 1) Rail
- 2) Pair of steel fixing brackets, screw to the underside of the tops (metal-to-metal)
- 3) High capacity metal cable tray



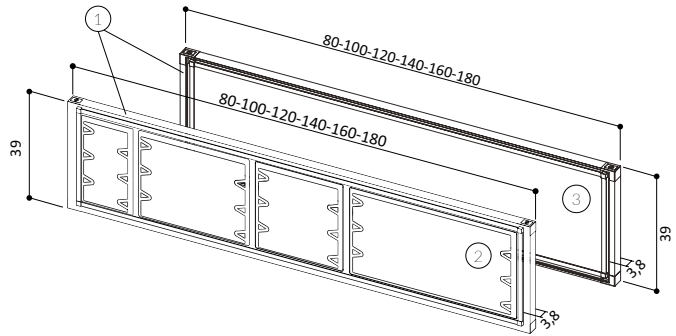
Metal rail with two full length flaps and high capacity cable tray for bench desks with 215mm middle gap

- 1) Rail
- 2) Pair of steel fixing brackets, screw to the underside of the tops (metal-to-metal)
- 3) High capacity metal cable tray
- 4) Full length cable flaps



FRAMED SCREENS AND CABLE MANAGEMENT

- 1) Aluminium frame
- 2) Acoustic framed screen, surface made of fabric covered acoustic thermoformed polyester fibre
- 3) Regular framed screens feature six surface options:
 - 8mm MFC panel;
 - fabric covered honeycomb core sandwiched between MDF panels;
 - 8mm wood effect melamine faced chipboard (MFC);
 - 8mm plywood core sandwiched between acoustic polyurethane foam sheets, fabric covered;
 - translucent pinstriped polycarbonate;
 - translucent matt white acrylic.



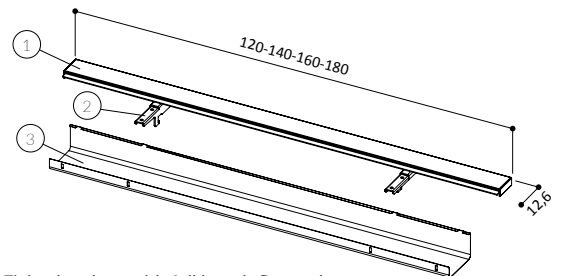
OPTIONS FOR SINGLE & BENCH DESKS (a framed screen is required in all scenarios)



Fixing brackets when no cable management is required

- 1) Pair of steel fixing brackets for framed screens, screw to the underside of the top (metal-to-metal fixing)

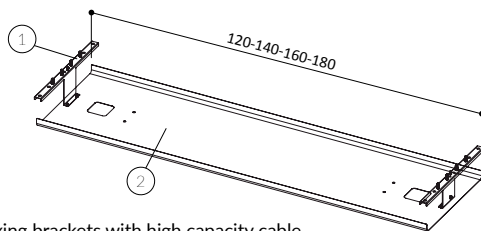
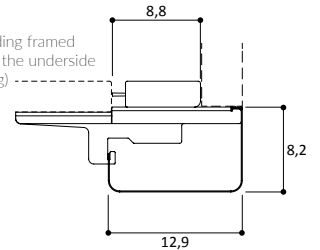
Note: framed screen required



Fixing brackets with full length flap and cable tray for single desks

- 1) Full length cable flap
- 2) Pair of steel fixing brackets holding framed screen and cable tray, screw to the underside of the top (metal-to-metal fixing)
- 3) Metal cable tray

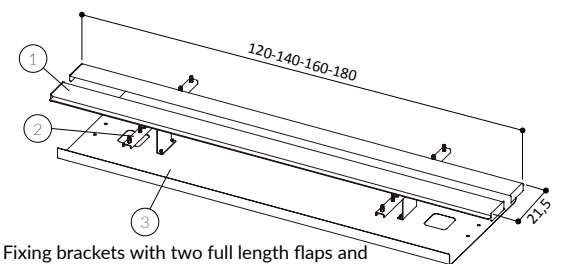
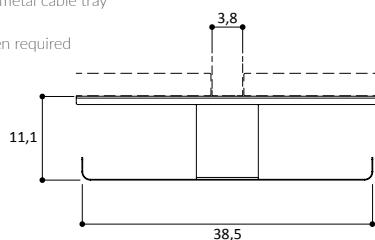
Note: framed screen required



Fixing brackets with high capacity cable tray for bench desks with 38mm middle gap

- 1) Pair of steel fixing brackets holding framed screen and high capacity cable tray, screw to the underside of the top (metal-to-metal fixing)
- 2) High capacity metal cable tray

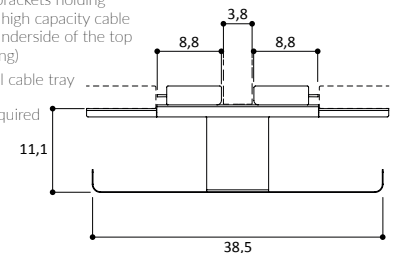
Note: framed screen required



Fixing brackets with two full length flaps and high capacity cable tray for bench desks with 215mm middle gap

- 1) Full length cable flaps
- 2) Pair of steel fixing brackets holding framed screen and high capacity cable tray, screw to the underside of the top (metal-to-metal fixing)
- 3) High capacity metal cable tray

Note: framed screen required



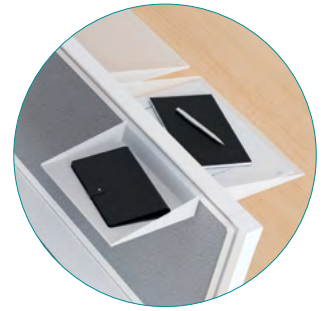
ACCESSORIES



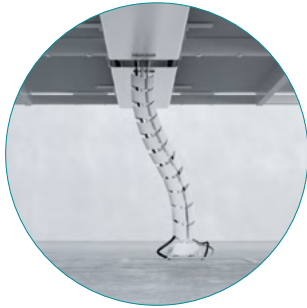
Ø60mm ABS grommet



Aluminium cable flap with open ended cable tray under (for MFC tops only)



Tool bar and trays/pen pots



Translucent ABS cable spine



High capacity metal cable tray for bench desks



Metal tower for vertical cable management



High capacity metal cable tray for bench desks



Depth adjustable CPU cradle



Melamine modesty panel



Metal modesty panel with square holes





SUSTAINABILITY & CERTIFICATIONS

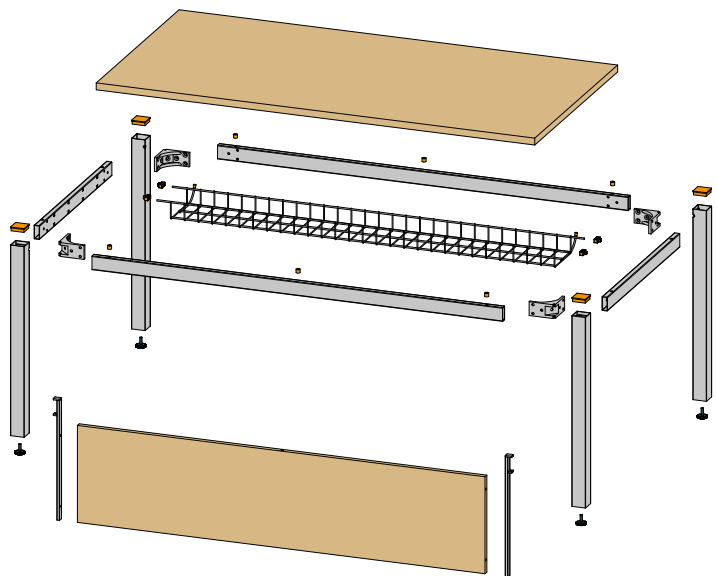


MATERIALS AND RECYCLABILITY

Panels used on X4 range are exclusively 100% made by recycled wood and respect low formaldehyde emission (CATAS certification Quality Award Formaldehyde E1). Resins used on panels and melamine paper are SVHC substances free (reported on ECHA list update to 12/01/2017)

DESK WITH METAL FRAME

	POST-CONSUMER RECYCLABLE
 Wood	100%
 Plastic	100%
 Metal	100%
 Mixed	If disposed of in a specialised facilities





STANDARDS

X4 range has passed the following tests, attested by **CATAS** analysis laboratory in San Giovanni al Natisone (UD).

- **D.L. 81/2008** Attestazio conformità al D.L. 81/2008
- **EN 527-1:2011** Tables and desks dimensions.
- **EN 527-2:2002, PAR 3** Safety mechanical requirements
- **EN 527-3:2003, PAR 5.3** Horizontal static load
- **EN 527-3:2003, PAR 5.2** Vertical static load
- **EN 527-3:2003, PAR 5.4** Horizontal resistance effort
- **EN 527-3:2003, PAR 5.5** Vertical resistance effort
- **EN 527-3:2003, PAR 5.1** Stability
- **EN 527-3:2003, PAR 5.6** Fall
- **EN 13721:2004** Surface reflectance
- **EN 13722:2004** Surface specular reflection
- **UNI 8594:2004** Worktops bend
- **UNI 9086:1987** Leg impact



CERTIFICATES

Constantly receptive to market requirements, Quadrifoglio Group pay special attention on quality and safety contents in order to provide high products and services. The Company has reached certifications UNI EN ISO 9001/2008, UNI EN ISO 14001/2004 and BS OHSAS 18001/2007 to confirm his policy. Our products are certified and ensured by FSC™ and ECOLOGICAL PANEL.

COMPANY WITH
MANAGEMENT SYSTEM
CERTIFIED BY DNV GL
= ISO 9001 =
= ISO 14001 =
= OHSAS 18001 =



GREEN ENERGY

The Company had installed the photovoltaic system with 4,500 solar panels in a 7.350 m² surface that covers almost entirely the factory. The photovoltaic is able to produce 1Mw of a quiet green energy, that does not harm the environment and is waste-free. With his high production capacity the photovoltaic allows us to reduce emissions in the atmosphere of all those polluting substances and to those that contribute to the greenhouse effects. Consequently, such measures make us save every year 180 tonne of petrol oil, 440 tonne of CO₂, 514kg of sulphur dioxide, 448 kg of nitrogen oxide and 23kg of dust.



TRANSPORT

Packaging is reduced in order to decrease volumes. Goods collections are responsibly managed and organised with the aim of optimise transports, reducing atmosphere emissions.