



# CAMPUS METAL CHAIR

COD.OCAMPV04

## DESCRIPTION

stackable chair with 4-leg frame

## NOTE

Optional: armrest, linking device, armrest with writing table, stacking trolley, tray.  
Stackable up to 12 chairs.

## SPECIFICATIONS

---

### STRUCTURE

Seat and backrest in aluminum painted steel

### ARMS

Silver painted arms with black polypropylene arm pads

### LEGS / FRAME / BASE

Steel tube legs 22x1,5mm painted aluminum

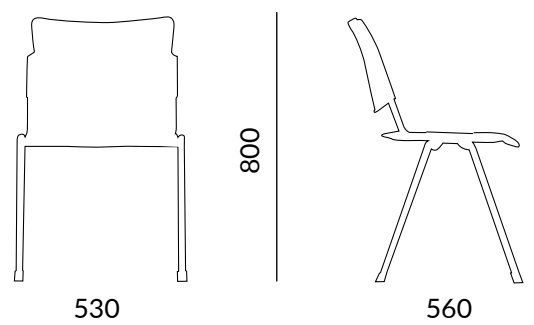
## SIZE

---

**chair**  
L 530 H 800 D 560

**seat**  
L 440 H 440 D 425

**backrest**  
L 430 H 370



### WEIGHT

Net weight a chair: 6 Kg  
Gross weight a chair: 8 Kg

### PACKAGING

4 x box  
L 580 H 550 D 1100

### VOLUME

M3 box: 0,35

COD.OCAMPV04

TECHNICAL  
DATASHEET

Dimensions in millimeters