



ASTRO CORNER MODULE

COD.OASTRG01

DESCRIPTION

Corner module

NOTE

On request only: fire retardant foam padding 

SPECIFICATIONS

STRUCTURE

Spruce and MDF

PADDING

Polyurethane foam divided into blocks with different densities and thicknesses.

LEGS / FRAME / BASE

Tube 20x20x2 chrome or silver painted

UPHOLSTERY

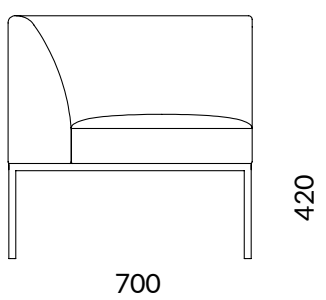
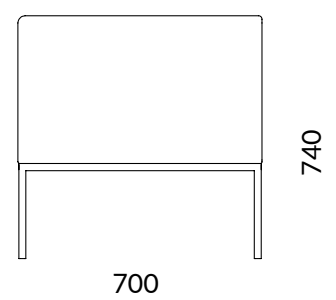
categories B01-B03-C01-C05-W01-D02-P01 (SEE FABRIC FOLDER)

SIZE

article
L 700 H 740 D 700

seat
L 500 H 420 D 500

backrest
H 320



WEIGHT

Net weight a chair: 15 Kg
Gross weight a chair: 19 Kg

PACKAGING

1 x box
L 730 H 730 D 800

VOLUME

M3 box: 0,28

COD.OASTRG01

TECHNICAL
DATASHEET

Dimensions in millimeters