

RETRÒ LOUNGE

design
SERGIO BELLIN



A JUMP IN THE PAST THANKS TO MODERN TECHNOLOGY
Designed to furnish waiting and lounge areas, Retrò Lounge combines vintage style and modern technology to give life to a timeless product.

COMFORTABLE AND STURDY

Retrò Lounge is the armchair characterised by high comfort thanks to the seat and back pad in flexible polyurethane, crushproof. The inner steel structure featuring springs and elastic belts, ensures comfort and durability.

STYLISH DETAILS

Retrò Lounge stands out for its details: the armrests are integrated in the structure through aluminium joints, that can be upholstered in the same material as the seat and back.

MATERIALS

Structure: lounge structure with lower sled steel tube frame, high resistance, ø 20 mm, chromed. Seat and back structure with elastic springs and belts for a high and long-lasting comfort

Gliders: anti-slide gliders, transparent

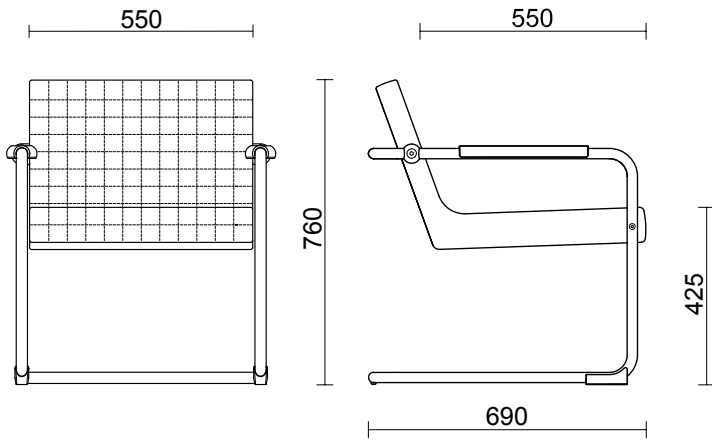
Pins: elegant pins in die-cast aluminium, to link the sled structure to the body of the chair

Cushion: seat and back pad in flexible cold injected polyurethane foam, crushproof

Upholstery: leather, ecological leather, fabric

Cover arms: polypropylene cover arms, upholstered in the same material as seat and back

DIMENSIONS



COLOURS, MATERIALS, FINISHING *

STRUCTURE FINISHING



Chromed steel

UPHOLSTERIES



Fabric AB Xtreme Plus
19 colours



Fabric ME
21 colours



Fabric IP
19 colours



Fabric FE
21 colours



Faux-leather fabric CI-CX
26 colours



Faux-leather fabric IK
13 colours



Ecological leather N
13 colours



Leather S
13 colours



Leather TS
18 colours



Ecological leather N
13 colours



Leather S
13 colours

COVER ARMS UPHOLSTERIES



Fabric AB Xtreme Plus
19 colours



Fabric ME
21 colours



Fabric IP
19 colours



Fabric FE
21 colours



Faux-leather fabric CI-CX
26 colours



Faux-leather fabric IK
13 colours



Ecological leather N
13 colours



Leather S
13 colours



Leather TS
18 colours



Ecological
leather N
13 colours

Leather
S
13 colours

* Please refer to the Price list in force and to the General sale conditions for the colours and the combinations available for every single product. Colours shown are used for reference only and may look different in reality. Please contact SitLand to receive more information.

PCON.PLANNER



It will be possible to configure our model Retrò Lounge by using pCon.planner program for the design of 2D and 3D environment.

pCon.planner allows to design working solutions in a fast and intuitive way, creating "realistic" images with advanced features, with a considerable saving of time and resources.

It is easy to start using pCon.planner: after downloading the software in the proper page, it is possible to download pCon.catalog, the practical online catalogue of products ready to be set up according to anyone's need, and then include the products in the projects.

For more information on the use of pCon.planner and the access to the products of the SitLand's catalogues, please contact com@sitland.com

WARRANTY



Retrò Lounge has 5 years warranty. For any further detail, please contact SitLand's customer service at service@sitland.com

MORE INFORMATION

Please look through our catalogue to see all the different versions available of Retrò Lounge

http://www.sitland.com/sitland_catalogues/sitland_general_catalogue/sitland_general_catalogue.html#p=306

or see our Retrò Lounge page into our web site www.sitland.com

SitLand®

SitLand S.p.A.
Via Cà Silvestre, 52
36024 Nanto - Vicenza - Italy
info@sitland.com - www.sitland.com
Tel. +39 0444 637100



SitLand S.p.A. is certified
UNI EN ISO 9001: 2008
UNI EN ISO 14001: 2004

Follow us

