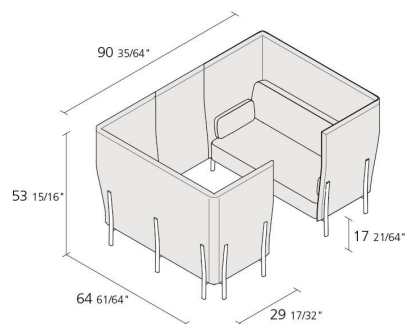
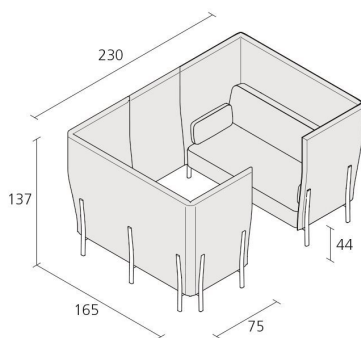


# Alias

## ELEVEN HIGH BACK PRIVACY / 867

*PearsonLloyd*

Configuration of 2 two-seater sofas (code 863\*) with an open and one closed side by panel covered with fabric (removable panel). \*eleven high back 863: Two-seater sofa with die-cast aluminium legs and steel frame. Seat cushion, back and arms in polyurethane covered with fabric. Panels covered with fabric.



# INFORMATION



Warranty 3 years

---



Fire-retardancy  
(some parts only)



Recyclable



Removable covers

---



4

Boxes number



1

Max number pieces  
per a box

---

# FINISHES ELEVEN HIGH BACK PRIVACY / 867

## POLISHED ALUMINIUM



AB

## STOVE ENAMELLED ALUMINIUM



A009



A019



A039



A041



A042



A047

## VENEERED



RV

## KVADRAT® CANVAS (EXAMPLES)



174



424



964

## KVADRAT® DIVINA



DA46



DA49



DA54

## KVADRAT® FOSS (EXAMPLES)



112



192



612

## KVADRAT® HALLINGDAL 65 (EXAMPLES)



HG06



HG14



HG24

## KVADRAT® HERO (EXAMPLES)



181



511



991

## KVADRAT® STEELCUT (EXAMPLES)



SC01



SC02



SC03

KVADRAT® STEELCUT TRIO (EXAMPLES)



ST24 ST25 ST28

KVADRAT® TONUS (EXAMPLES)



KN02 KN05 KN09

KVADRAT® UMAMI (EXAMPLES)



251 441 621

KVADRAT® UMAMI 2 (EXAMPLES)



172 332 982

KVADRAT® UMAMI 3 (EXAMPLES)



223 653 743

CAMIRA® URBAN (EXAMPLES)



YN094 YN108 YN027

CAMIRA® XTREME (EXAMPLES)



YS141