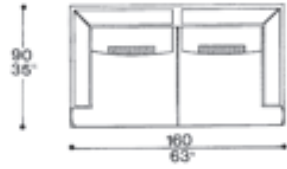
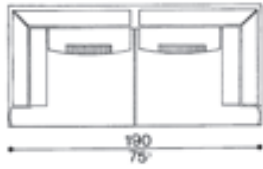


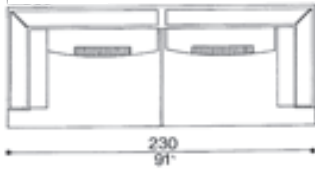
ML 01



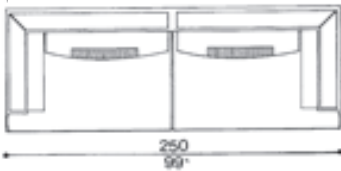
ML 02



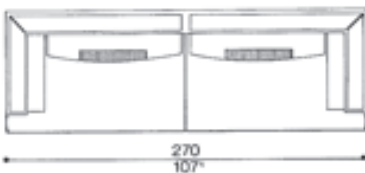
ML 03



ML 04



ML 05



ML 06



ML 07



ML 08

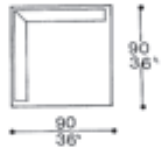


ML 09



3 ▶

ML 10



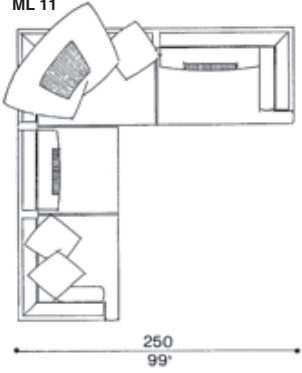
ML 40



ML 39



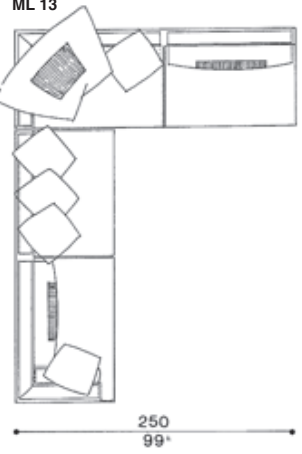
ML 11



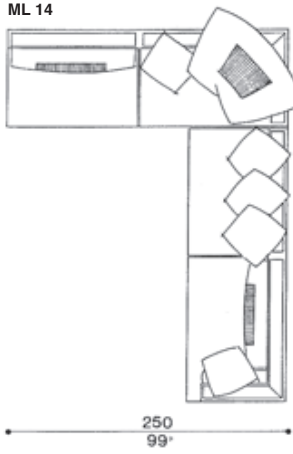
ML 12

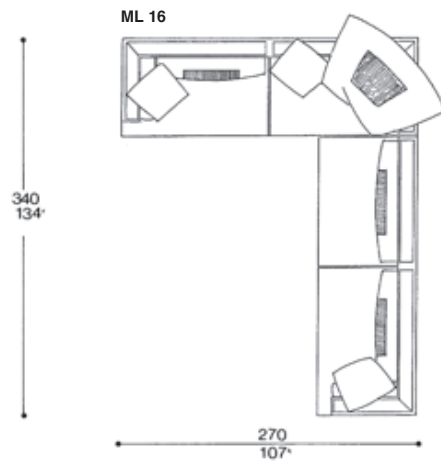
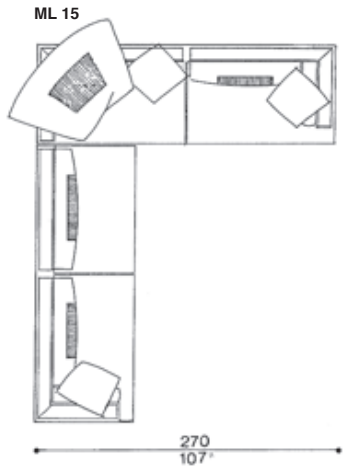


ML 13

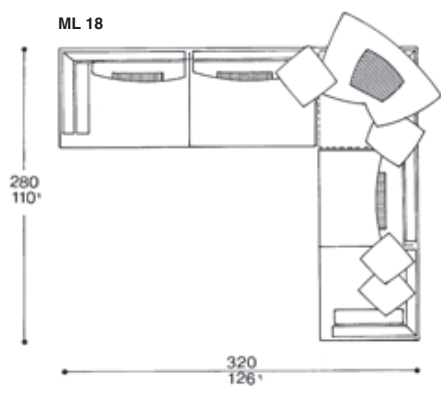
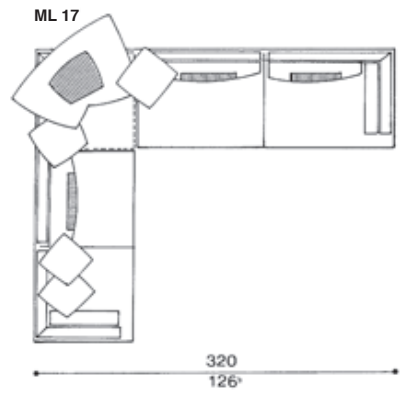


ML 14

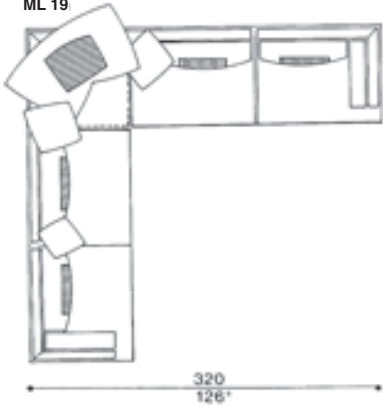




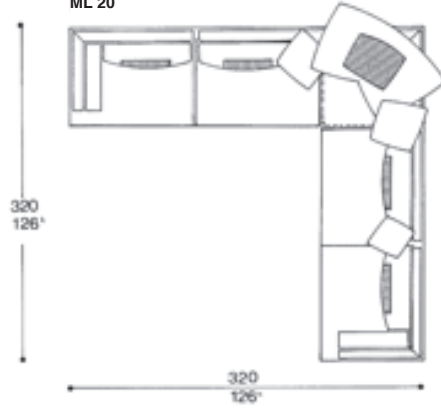
7 ▶



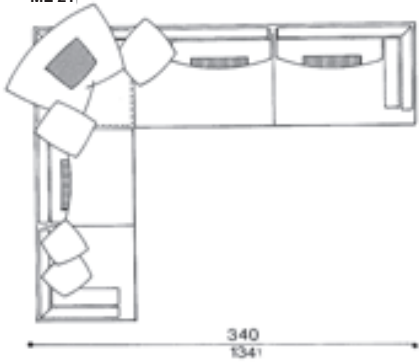
ML 19



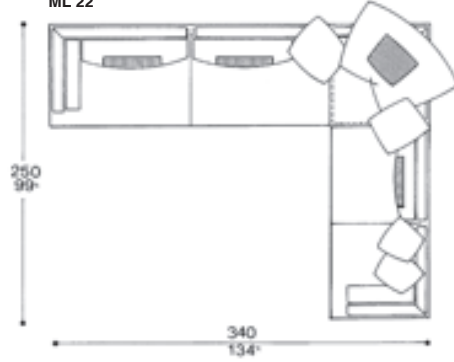
ML 20



ML 21



ML 22

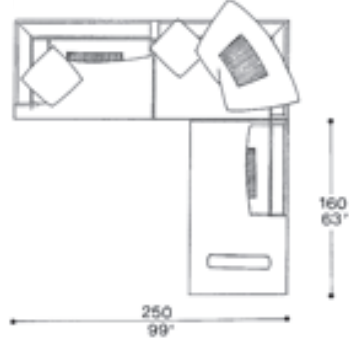


9 ▶

ML 23



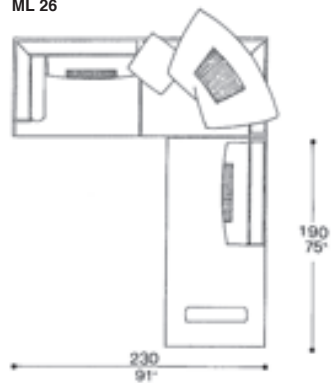
ML 24



ML 25



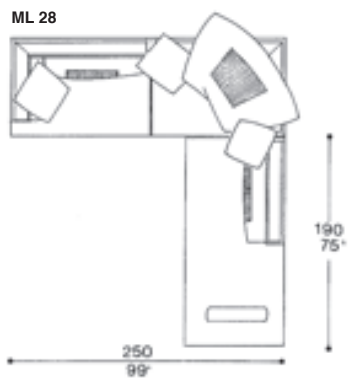
ML 26



ML 27

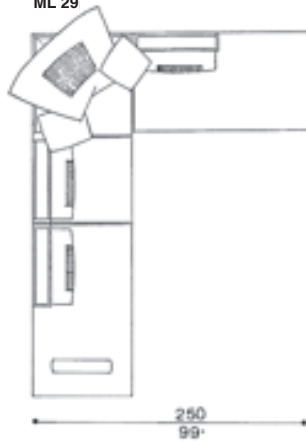


ML 28

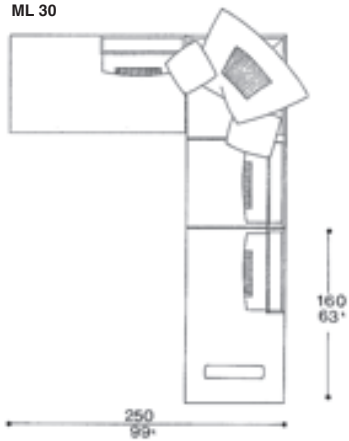


11 ►

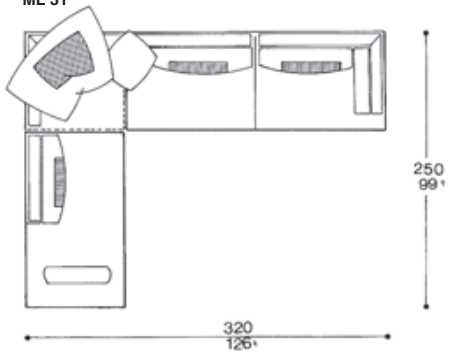
ML 29



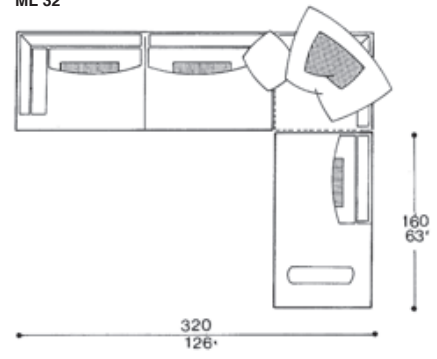
ML 30



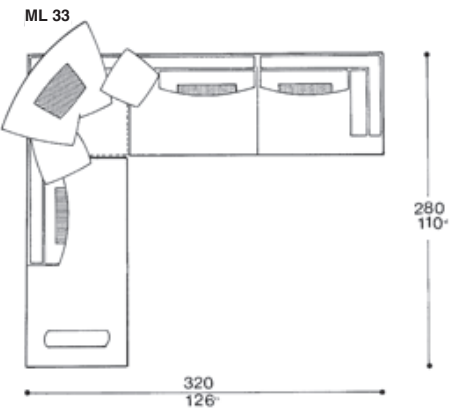
ML 31



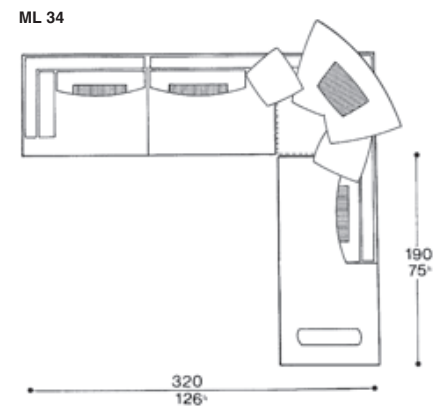
ML 32



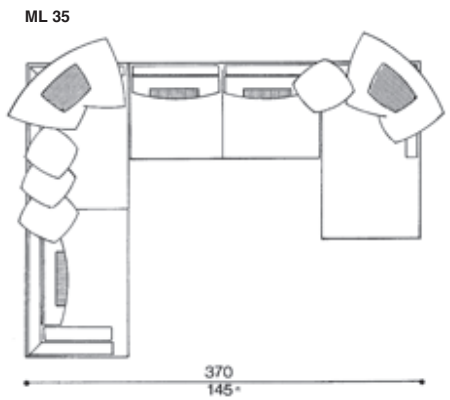
ML 33



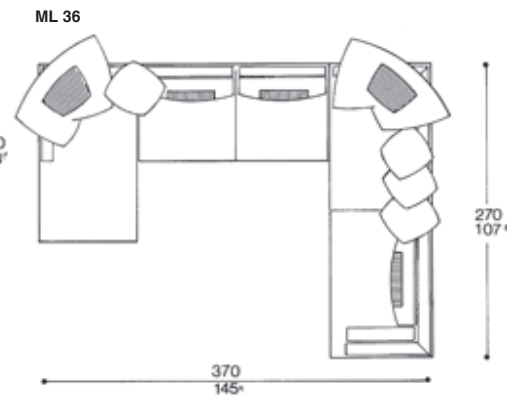
ML 34

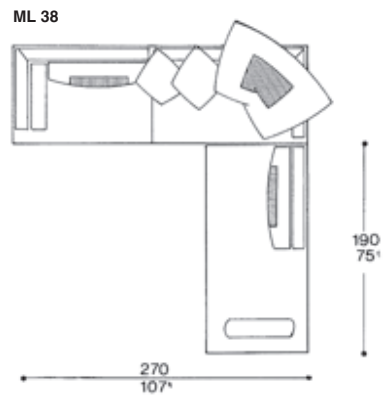
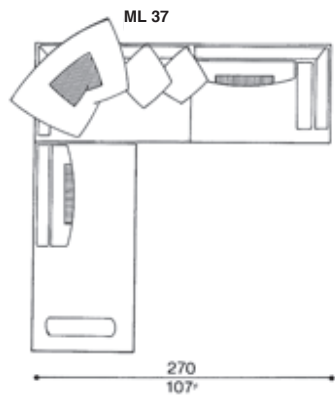


ML 35



ML 36





15 ►

