



# plié

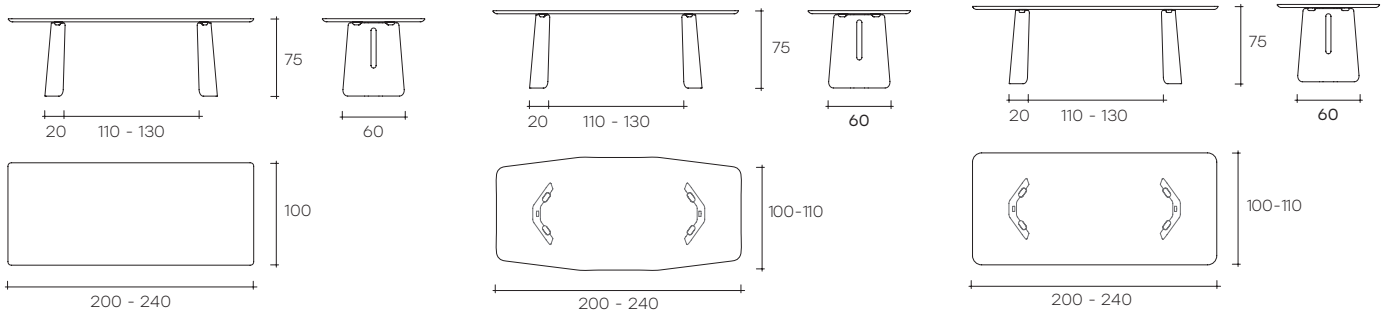
DESIGN  
STUDIO KLASS

modello registrato  
registered model

portata sul piano: 150 kg  
load capacity on top: 150 kg

Tavolo composto da due basi in vetro sagomato e curvato da 12 mm, disponibili in vetro fumè o extralight; piano disponibile in vetro extralight, oppure in legno impiallacciato finitura rovere termotrattato, oppure in legno spatolato a mano con Ecomalta ad effetto materico, colore Argilla.

Table consisting of two 12 mm shaped and curved glass bases, available in smoked or extralight glass; top available in extralight glass, or in veneered wood with heat-treated oak, or in wood hand-finished with Ecomalta, rough texture finish, clay colour.



dimensioni L, P, H  
dimensions L, W, H  
(cm)

	COD./CODE	L	P/W	H	peso netto net weight (kg)	peso lordo gross weight (kg)	volume imballo package volume (m <sup>3</sup> )
Basi in vetro extralight, piano in vetro extralight da 15 mm sagomato. Bases in extralight glass, top in 15 mm shaped extralight glass.	PT/2010XS	200	100	75	98	135	0,61
	PT/2410XS	240	110	75	120	159	0,7
Basi in vetro extralight, piano in vetro extralight da 15 mm rettangolare. Bases in extralight glass, top in 15 mm rectangular extralight glass.	PT/2010XR	200	100	75	101	138	0,61
	PT/2410XR	240	110	75	125	164	0,7
Basi in vetro fumè, piano in legno impiallacciato finitura rovere termotrattato. Bases in smoked glass, top in veneered wood with heat-treated oak-finish.	PT/2010RO	200	100	75	67	104	0,61
	PT/2410RO	240	100	75	75	114	0,7
Basi in vetro fumé. Piano spatolato in Ecomalta colore Argilla. Smoked glass bases. Wood top hand-finished with Ecomalta, rough texture finish, clay colour.	PT/2010AR	200	100	75	67	104	0,61
	PT/2410AR	240	100	75	75	144	0,7

FINITURA GAMBE  
LEGS FINISH

Vetro fumé  
Smoked glass

SPESSORE  
THICKNESS

12 mm

% EXTRA COSTO  
% EXTRA CHARGE

10%

Dimensioni su richiesta solo per Pliè con top in vetro.  
Custom dimensions only for Pliè table with glass top.