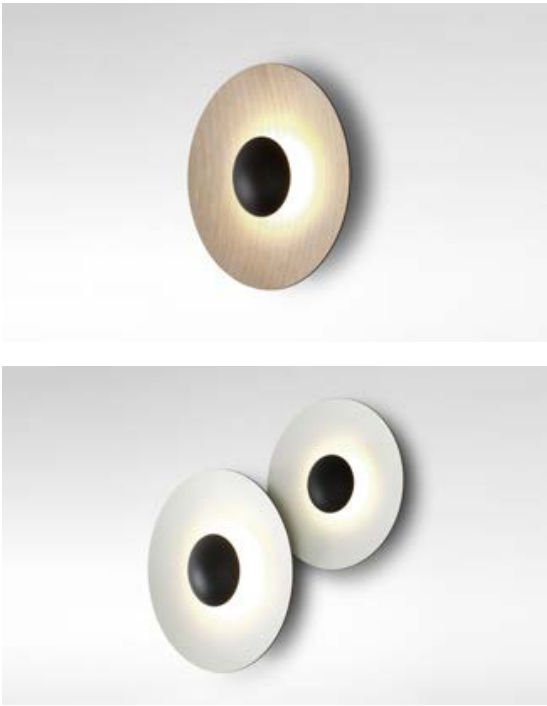




Ginger

Joan Gaspar

marset



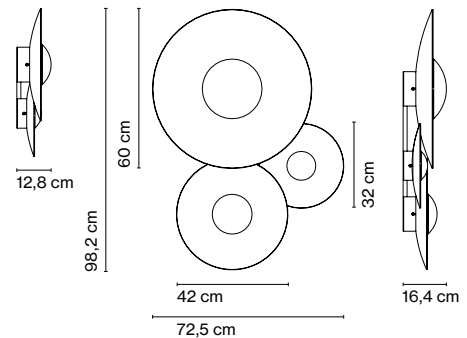
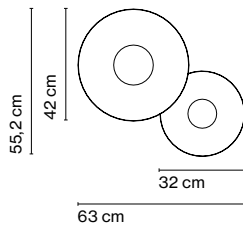
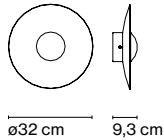
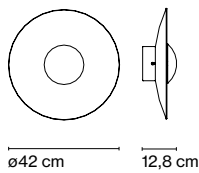
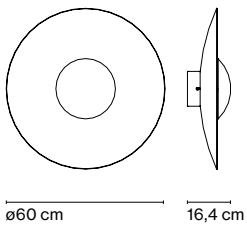
Ginger 60C

Ginger 42C

Ginger 32C

Accessory C2

Accessory C3



Wood is a great ally of cozy lighting. It is a material that is hard to mold, a challenge that the Ginger collection neatly resolves. The combination of sheets of wood and paper pressed together under high pressure achieves a laminate that appears almost entirely flat.

Ginger 32C

LED SMD 11,5W 700mA 2700K CRI90
Light Source 1066lm Luminaire 350lm (included)

Ginger 42C

LED SMD 21,7W 700mA 2700K CRI90
Light Source 2130lm Luminaire 698lm (included)

Ginger 60C

LED SMD 28W 700mA 2700K CRI90
Light Source 3023lm Luminaire 1165lm (included)

Accessory C2

LED SMD 28,5W 700mA 2700K CRI90
Light Source 3196lm Luminaire 1048lm (included)

Accessory C3

LED SMD 63W 700mA 2700K CRI90
Light Source 6219lm Luminaire 1863lm (included)

- [Download](#) Assembly Instructions
- [Download](#) Photometric Data
- [Download](#) 2D
- [Download](#) 3D
- [Download](#) Energy label

Pressed wood diffuser of 4mm in natural oak or wenge. Injected and lacquered black metal matte aluminium dissipater.

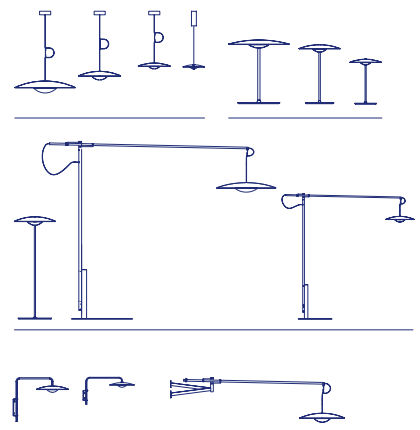
- Oak - Oak
- Wenge - Wenge
- Oak - White
- Wenge - White



dimable*

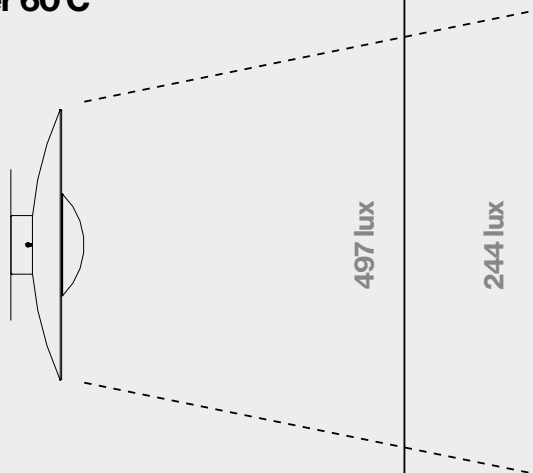
*Phase cut dimmer leading and trailing edge (Triac)

Range



How Ginger illuminates

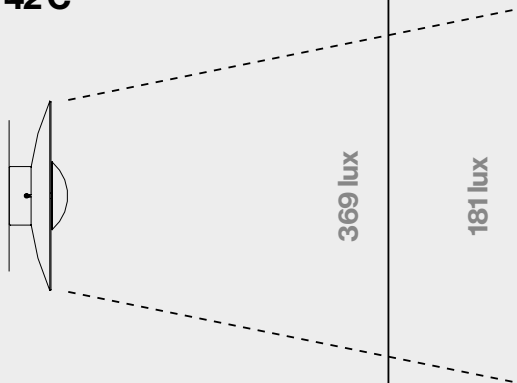
Ginger 60 C



497 lux

244 lux

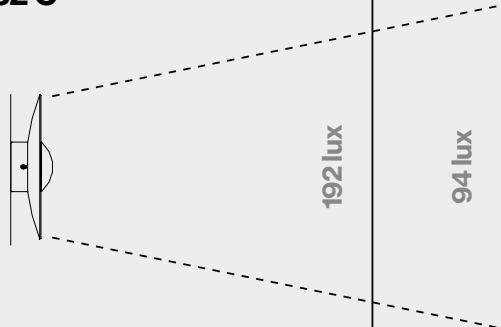
Ginger 42 C



369 lux

181 lux

Ginger 32 C



192 lux

94 lux

At 70 cm

At 100 cm