



PLURALIS™

A TABLE THAT'S OPEN
TO POSSIBILITIES



REPUBLIC OF **Fritz Hansen**®

PRODUCT DESCRIPTION

The Danish designer Kasper Salto has designed the Pluralis™ table series for Republic of Fritz Hansen™. Pluralis is a table that's open to possibilities. As its Latin name implies, Pluralis pertains to more than one, meaning here more than one type of situation, setting, occasion or meeting. Designed for the contemporary work culture, Pluralis can adapt to any kind of communication exchange you have in mind.

The simple design is refined in every detail with soft lines and pure beautiful details and joints. The series comprises of several sizes, with the possibility of having integrated cable management systems and can be used as a working desk or a meeting table.

DESIGN

Kasper Salto, 2016



KASPER SALTO 1967-

Kasper Salto was trained as a cabinetmaker with Jørgen Wolff. He graduated in 1994 as a designer from the Danish Design School. During his studies Salto spent a term at the Art Center in Switzerland. From 1996-1997 Salto lectured at the Royal Academy of Art in Copenhagen and was also appointed a member of S.E. (The Cabinet Makers' Autumn Exhibition). In 1997 Kasper Salto became an exhibiting architect for S.E. at the Museum of Applied Art in Copenhagen.

In Kasper Salto's work the Danish tradition of furniture design is continued in a well-balanced combination with international industrial design. Salto's main source of inspiration is nature's superior way of designing and colouring. In spite of his young age, Kasper Salto has already received several design awards for his work. In 2004 he founded the design company Salto & Sigsgaard with architect Thomas Sigsgaard, working mainly in the field of product design, lighting and interiors.



TABLETOPS

The table comes in 3 sizes and the tabletops are made of chipboard core and matching ABS edge band, of either 20 or 22 cm. The corners of the tabletop are rounded to give the table top a sophisticated finish.

The tabletop comes with a surface in: linoleum, laminate or veneer. The different tabletop selections are:



OAK
VENEER



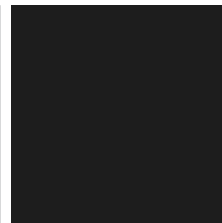
WALNUT
VENEER



MAUVE BROWN
LINOLEUM



WHITE
LAMINATE

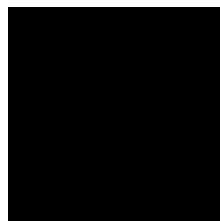


LAVA GREY
LAMINATE

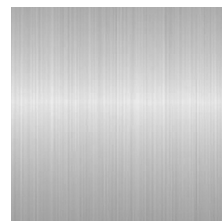


BASES

The legs of the base are positioned and shaped in such a way that the user will always be met with a soft circle creating an invitation to come closer and use the table. The base is crafted in pressure die casted aluminium and the rails are extruded aluminium. It is available in a polished aluminium or powder coated in black IGP lacquer. The base is mounted with glides.



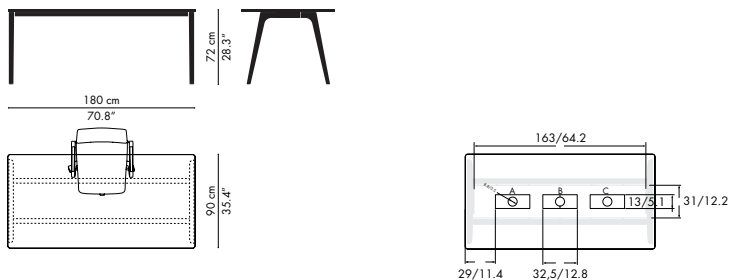
BLACK
POWDER COATED



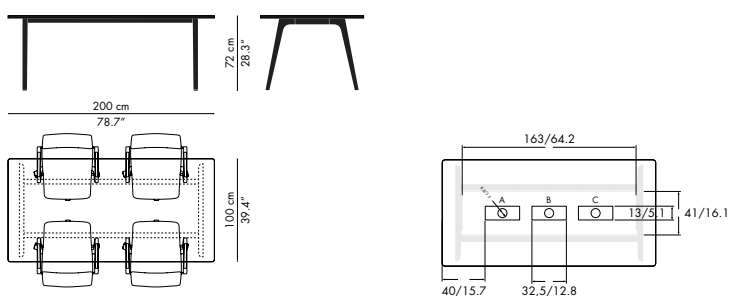
ALUMINIUM
POLISHED

VARIATIONS & DIMENSIONS

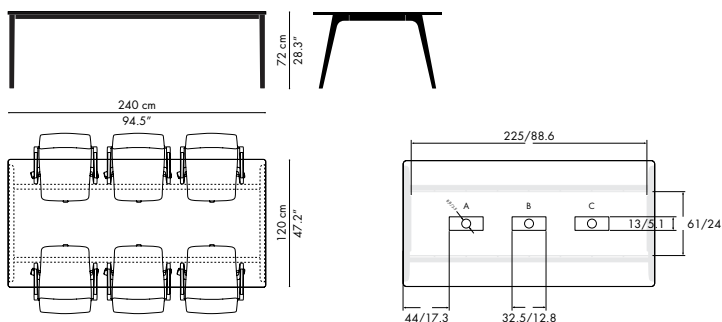
KS410



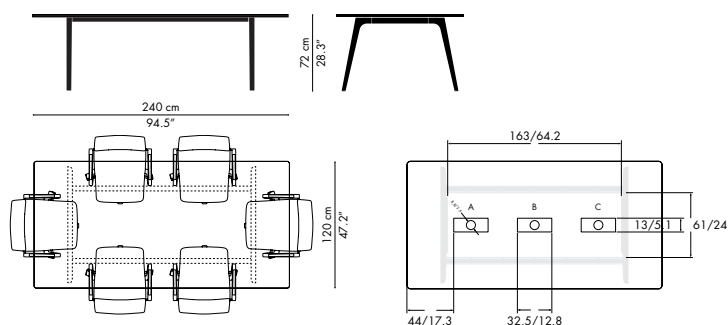
KS411



KS412A



KS412B



CABLE MANAGEMENT

The Pluralis™ table offers the possibility of adding a cable management system. The cable management applications consist of:

- Cut out w. matt aluminium cable cover (rectangular)
- Cut out w. matt aluminium cable cover (circular)
- Cable tray in black powder coated steel
- Cable hose in black or silver



WARRANTY

A five-year warranty against manufacturing defects in standard products (materials and workmanship). Wear, tear and damage to the product are not covered under this warranty. Claims from end users under the guarantee must be submitted to the vendor from whom the product was purchased. All measurements are indicative.

STANDARD WARRANTY:

5 years

MY REPUBLIC EXTENDED WARRANTY:

5 years: Laquer on base, Surfaces on tabletop.

10 years: Base, Tabletop.

To obtain an extended warranty offered through My Republic the products should be registered online. Go to www.fritzhanzen.com/my-republic to register.

ENVIRONMENTAL PRODUCT INFORMATION

Table for meetings, conference, dining and private use.

MATERIALS

Tabletop

The tabletop is available in 3 different surfaces: linoleum, laminate and veneer, all made with a chipboard core.

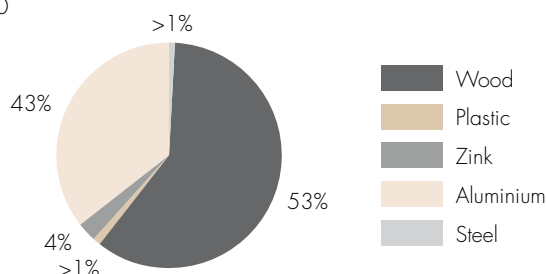
Base

The base is made of pressure die cast aluminium and is available in either a high gloss polished surface or a black powder coated surface. The legs are mounted with glides.

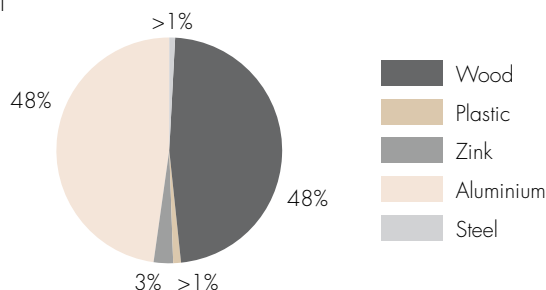
Materials in %

Items with a weight <1% of the total product weight are not included in the figures below.

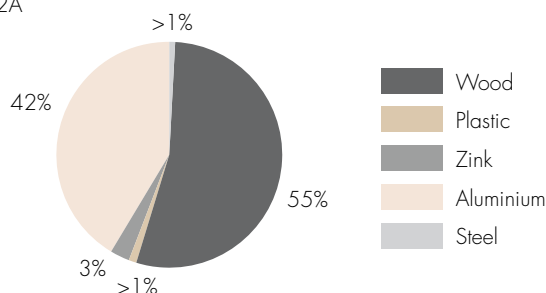
Model KS410



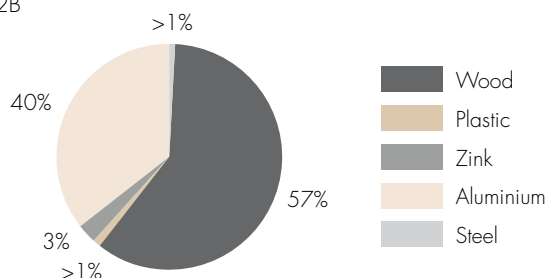
Model KS411



Model KS412A



Model KS412B



PACKAGING MATERIAL

The tabletop is covered with a plastic bag and LD-polyethylen foam and packed in cardboard. All packaging material can be recycled. The legs are separately packed with similar packaging materials.

REPAIR, DISPOSAL AND REUSE

In the case of disposal, the table can be disassembled in different parts for recycling and repair.

MANUFACTURING PROCESS

Suppliers

Suppliers' environmental stance is examined as part of Fritz Hansen's Quality and Environmental Management Systems before Fritz Hansen enters into collaboration with a supplier.

Chipboard

Chipboard is made of wooden chips, glue and wax. The wood is a by-product from sawmills, and chips from pulp wood. The glue which is used to bind the sawmill chips and pulp woodchips together is urea formaldehyde glue.

Metals

- Steel: Production scrap (steel) is collected for recycling. Chrome 3 is used for chromium plating.
- Zinc: The zinc can be collected for recycling.
- Aluminium: The aluminium is 100% recycled aluminium.

Plastic

The plastic is a thermoplastic elastomer (TPC-ET)

MANUFACTURING PROCESS

Environmental Systems

We are aware of our environmental responsibilities. Therefore, in the autumn of 2004 Fritz Hansen obtained the ISO 14001 certification in the environmental management system. The certification is a guarantee to our customers and the authorities that we comply with the requirements of the ISO 14001:2015 standard.

Quality System

Fritz Hansen is also certified according to the quality system ISO 9001:2015.

Employee Health and Safety

Fritz Hansen aims at meeting or exceeding OSHA standards.

LONG LIFETIME

A long lifetime of a piece of furniture is an important environmental factor. Fritz Hansen aims to obtain a long lifetime through timeless design and strict requirements for strength and durability. The table complies with the requirements for EN 15372:2007 – Strength, durability and stability - Test Level 3 Non domestic tables, severe use.

MORE INFORMATION

Please visit www.fritzhanzen.com for additional environmental information and to download our Perspective on Sustainability & Corporate Environmental Policy.